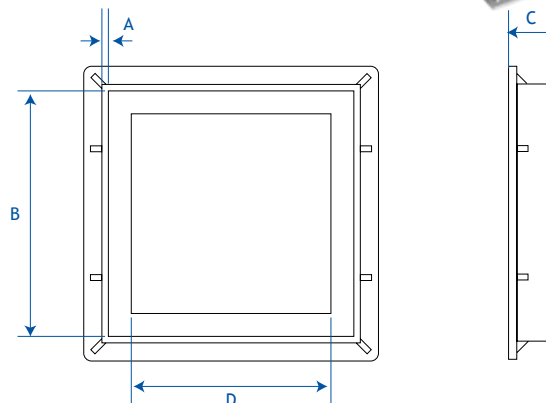
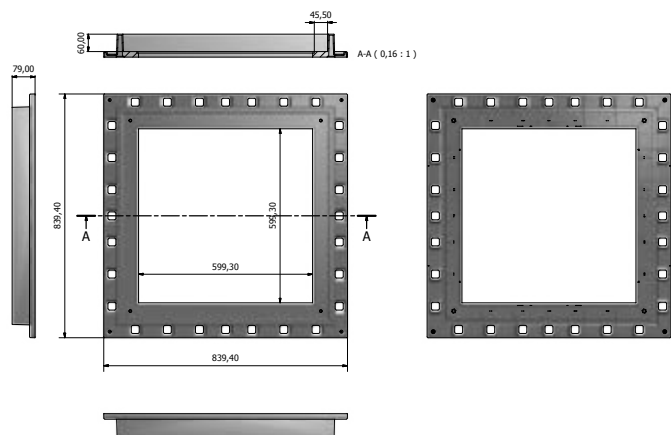
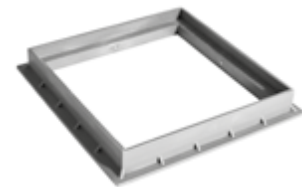


FRAME



	A	B	C	D
POZ04-1395	4	187	39	162
POZ04-1393	4	236	39	209
POZ04-1396	5	283	41	251
POZ04-1394	5	333	42	301
POZ04-1397	4	381	44	354
POZ04-1399	4	430	48	397
POZ04-1398	4	533	53	501

INDEX

1. Code Registry

2. Use

3. Technical Specification

1. CODE REGISTRY

Product code	Description	Available dimensions (mm)	Packaging (box/pallet)	Weight (gr.)
POZ04-1395	Frame for Cover/Grating	200 x 200	1 pc./700 pc.	310 gr./pc.
POZ04-1393	Frame for Cover/Grating	250 x 250	1 pc./432 pc.	425 gr./pc.
POZ04-1396	Frame for Cover/Grating	300 x 300	1 pc./312 pc.	610 gr./pc.
POZ04-1394	Frame for Cover/Grating	350 x 350	1 pc./225 pc.	660 gr./pc.
POZ04-1397	Frame for Cover/Grating	400 x 400	1 pc./144 pc.	706 gr./pc.
POZ04-1399	Frame for Cover/Grating	450 x 450	1 pc./132 pc.	1166 gr./pc.
POZ04-1398	Frame for Cover/Grating	550 x 550	1 pc./80 pc.	1315 gr./pc.
POZ04-7070T	Frame for Cover Seventy	700 x 700	1 pc./15 pc.	3900 gr./pc.

MATERIAL: Made of PP (polypropylene).
COLOUR: Grey

2. USE

Used with catch-pit covers and grates on concrete or bricks catch-pits, made on place or already existing.

FRAME



3. TECHNICAL SPECIFICATION

Voce	Descrizione	U.M.	Prezzo
Dak.D.POZ04.x	Supply and installation of frame is developed to match with various catch-pit covers and gratings. Available in different sizes: from 200 x 200 to 700 x 700 mm, grey colour. Made of PP (polypropylene). Used with catch-pit covers and grates on concrete or bricks catch-pits, made on place or already existing.		
Dak.D.POZ04.1395	200 x 200 mm.....	pc.	-
Dak.D.POZ04.1393	250 x 250 mm.....	pc.	-
Dak.D.POZ04.1396	300 x 300 mm.....	pc.	-
Dak.D.POZ04.1394	350 x 350 mm.....	pc.	-
Dak.D.POZ04.1397	400 x 400 mm.....	pc.	-
Dak.D.POZ04.1399	450 x 450 mm.....	pc.	-
Dak.D.POZ04.1398	550 x 550 mm.....	pc.	-
Dak.D.POZ04.7070T	700 x 700 mm.....	pc.	-